



XENON WING STROBE LIGHT P/N 6480701

MAIN FEATURES - Aviation Xenon Wing Strobe Light CS25 Certified (Dassault Aviation F900 & F2000)

•Reliability

MTBF: 40 000 H

Xenon strobe light: 3 500 H

•Low weight

•Resistance to high vibrations

•Tested for extreme environment

Dassault Aviation EGS / DGT-DTF/SYS/AV 69706

TECHNICAL FEATURES

Max operating voltage: 500V

Max rating: 2Hz

Max power : 40 joules

Light energy:: > to 400 cd with PSU P/N 6480702

Color: Aviation white

•Operating Temperature :

55°C / +70°C

• Connecting:

HE 302 17R 14 B5 PNH

- A: Input + High voltage

- B: - Excitation lampe

- C: - Input - High voltage

- D: Mechanical ground

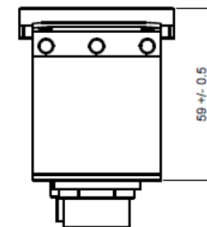
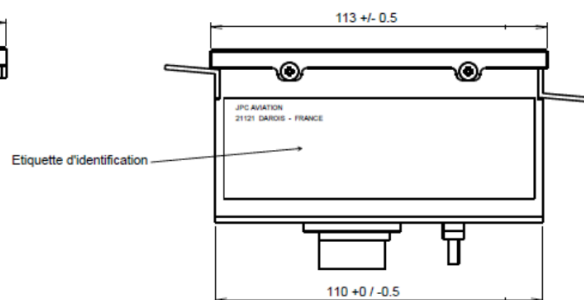
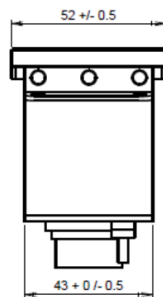
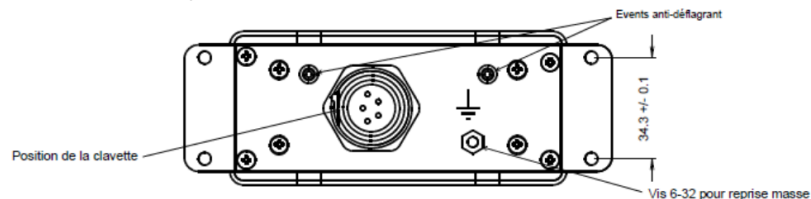
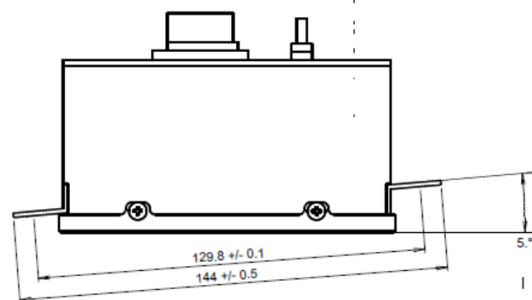
- E: Mechanical ground

•Altitude : + 55000 ft

•Weight : 300 grs (0.66 pounds)



Matiere : Aluminium AU 4 G
Traitement : Alodine A 1200 - Peinture noire face avant
Masse : 300 g max
Température de fonctionnement : -55°C / +70°C
Connecteur : HE 302 FD8A 54-14-5 PN-K (Deutsch) ou équivalent
Pin A : + HT
Pin B : Excit
Pin C : - HT
Pin D : Ground
Pin E : Ground



CONTACTS

•Phone: +33 (0)380 356 390,

•Email: jpc@jpcaviation.com - Website: www.jpcaviation.com