



# AIRCRAFT RED LED POSITION LIGHT P/N 6491311

## MAIN FEATURES - Aviation Red Position Light Certified CS ETSO C30c Type I (EASA.210.10064597)

### •High reliability

LED technology : more than 20 000 FH MTBF

### •Low EMI emission

### •Light weight

### •Resistance to high vibrations

### •Tested for extreme environment

## TECHNICAL FEATURES

### •Voltage : min 10 VDC / max 32 VDC

### •Consumption : 3 W

### •Connection : 2 G22 free end wires length 100 mm

### •Color: Red Aviation

### •Operating Temperature : - 45°C / +70°C

### •Altitude : + 25000 ft

### •Weight : 0.090 kg (0.20 pound)

### •Mechanical interface: Same interface than Aircraft

Standard Forward Position Lights.

Replacement of old incandescent Red Position/Navigation Lights:

- Grimes: A-1285-R-12 / A-1285-R-24
- Whelen: W1285PR1 / 01-0770001-51  
W1285PR2 / 01-0770001-52

## Delivery with EASA Form One

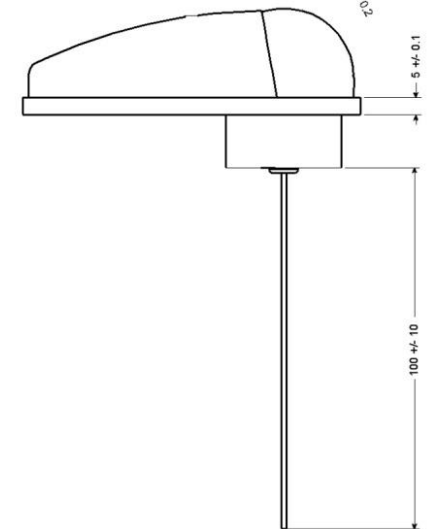
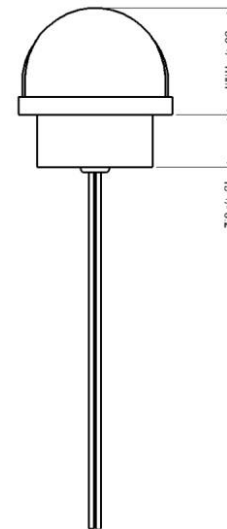
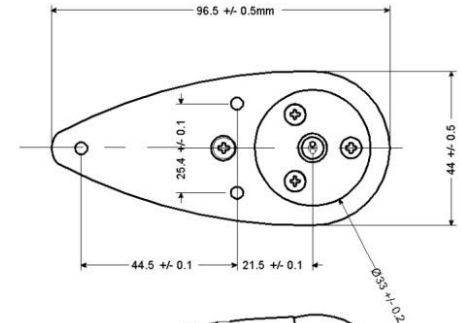
## CONTACTS

•Phone: +33 (0)380 356 390,

•Fax: +33(0)380 356 100

•Website: [www.jpccaviation.com](http://www.jpccaviation.com)

•Email: [sales@jpccaviation.com](mailto:sales@jpccaviation.com)



## EUROPEAN TECHNICAL STANDARD ORDER (ETSO) AUTHORISATION

**EASA.210.10064597**

This European Technical Standard Order (ETSO) Authorisation is issued by EASA, acting in accordance with Regulation (EC) No. 216/2008 on behalf of the European Community, its Member States and of the European third countries that participate in the activities of EASA under Article 66 of that Regulation, subject to conditions specified below, to

### **J.P.C. AVIATION**

**AERODROME DE DIJON DAROIS  
21121 DAROIS  
FRANCE**

in accordance with Commission Regulation (EU) No. 748/2012, Part 21, Section A, Subpart O and ETSO C30c  
for

**LED POSITION LIGHT SYSTEM:  
RED POSITION LIGHT P/N 6491311  
GREEN POSITION LIGHT P/N 6491321  
WHITE POSITION LIGHT P/N 6491341**

**DDP No. 649 13 11&21&41 DDP 01, ISSUE 2 or Subsequent Revisions**

**Deviations:**

Deviates from ETSO-C30c by not marking the minimum lamp candle power or lamp part number for lights using non-replaceable light-emitting component(s).

**Limitations:**

See DDP section 11.

**Conditions:**

1. The above ETSO Authorisation holder is only authorised to identify an Article with this ETSO marking whilst remaining in compliance with the conditions retained for the Issue of this Authorisation.
2. This ETSO Authorisation does not constitute an installation approval. It is the responsibility of those installing this article to determine that the aircraft installation conditions are within the ETSO standards.

This ETSO Authorisation shall remain valid until surrendered or revoked.

For the European Aviation Safety Agency

Cologne, Germany, 07 February 2018



Marco CAPACCIO  
Parts & Appliances Section Manager