



AIRCRAFT RED LED POSITION LIGHT

P/N 6491011 - U334A10T1002

MAIN FEATURES - Aviation Red Position Light Certified FAR27/FAR29 (Airbus Helicopters)

- **High reliability**

LED technology : more than 20 000 FH MTBF

- **Low EMI emission**

- **Light weight**

- **Resistance to high vibrations**

- **Tested for extreme environment**

TECHNICAL FEATURES

- **Voltage :** 28 VDC DO160D cat A

(same performances from 16V to 32V)

- **Consumption :** 4.2 W

- **Electrical interface :**

• D38999/20MA98PN connector

Pin allocation: A = + 28V

B = 0V

C = not connected

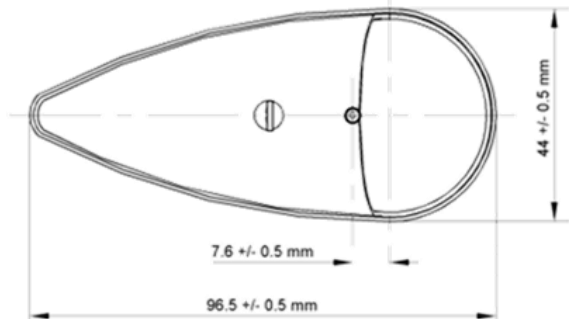
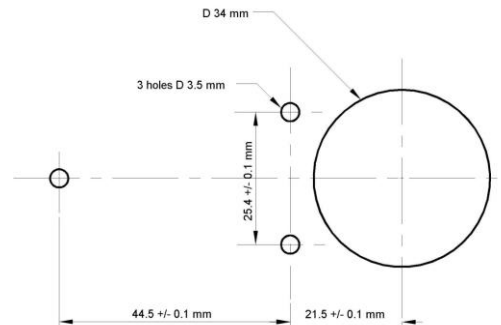
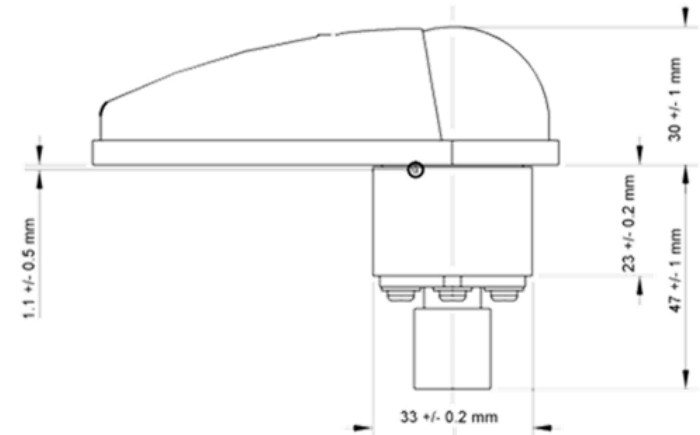
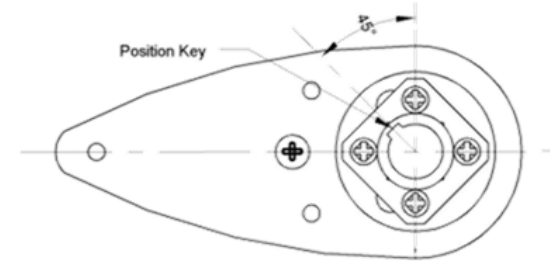
- **Color:** Aviation Red

- **Operating Temperature :** - 45°C / +70°C

- **Altitude :** + 25000 ft

- **Weight :** 95g (0.213 pound)

- **Mechanical interface:** Same interface than Aircraft Standard Forward Position Lights.
See 2D drawing.



CONTACTS

- **Phone:** +33 (0)380 356 390,

- **Fax:** +33(0)380 356 100

- **Website:** www.jpcaaviation.com

- **Email:** sales@jpcaaviation.com