



AIRCRAFT PAR36 LED TAXI LIGHT 20 Kcd P/N 6490786

MAIN FEATURES - Aviation PAR36 Taxi Light

EASA Minor Change Approved 10073318 (EPA) See certificate below

•High reliability

LED technology : more than 20 000 FH MTBF

•Low EMI emission

•Light weight

•Resistance to high vibrations

•Tested for extreme environment

TECHNICAL FEATURES

•**Voltage** : min 24 VDC / max 32 VDC

•**Consumption** : 67W

•**Current**: 2.4A +/- 20% at 28V

•**Connection** : 2 Plots with polarity

•**Light source**: 5 power leds with collimators

•**Color**: Cool white

•**Light power**: 20 000 cd

•**Distribution** : Horizontal : 46°

• Vertical : 10°

•**Overheat** : Forced air cooling & internal protection

•**Front lens**: Clear Polycarbonate 3 mm

•**Waterproofness**: Only on front lens

•**Operating Temperature** : - 45°C / +70°C

•**Altitude** : + 25000 ft

•**Weight** : 0.315 kg (0.69 lbs)

Delivery with EASA Form One

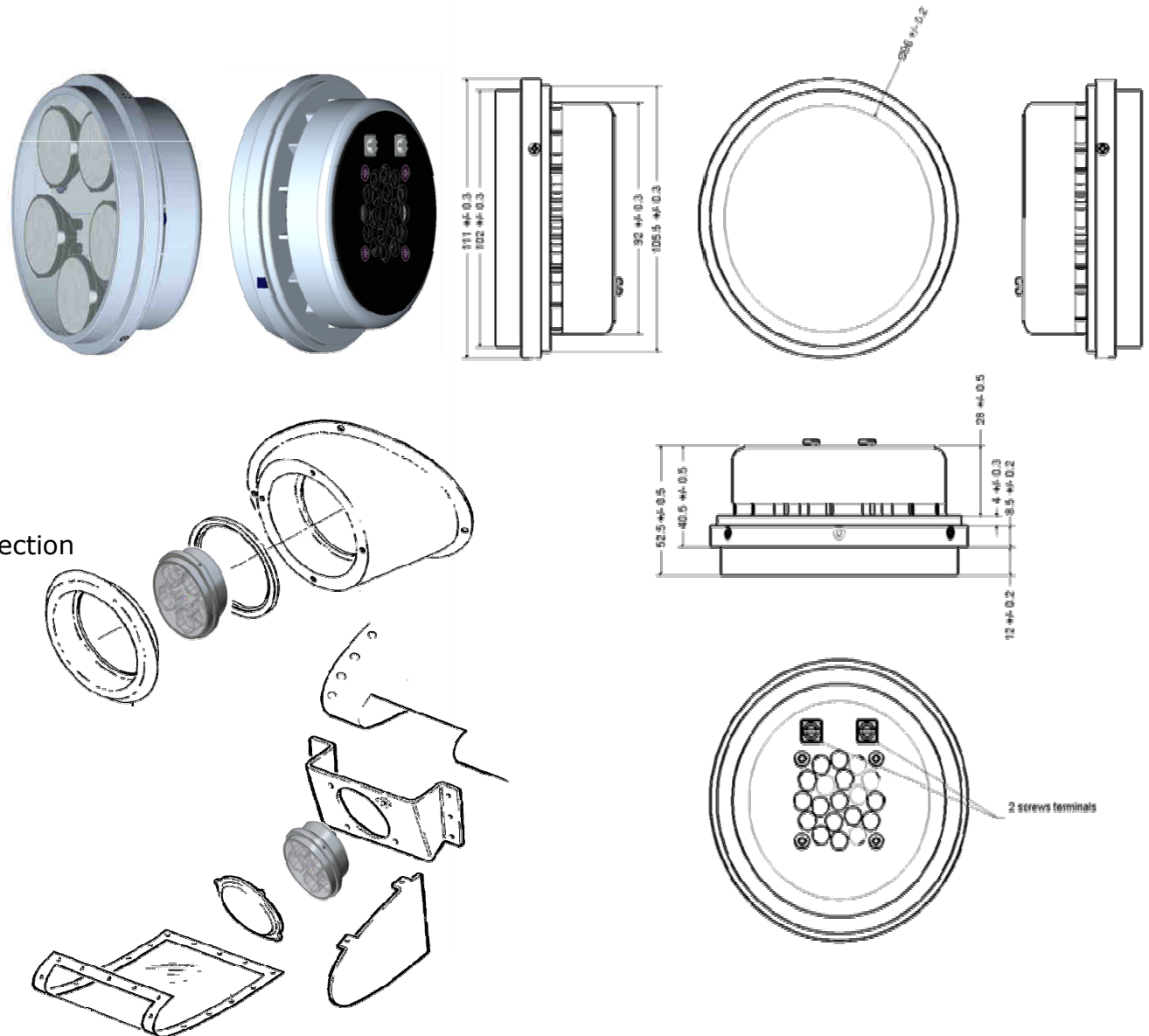
CONTACTS

•**Phone**: +33 (0)380 356 390,

•**Fax**: +33(0)380 356 100

•**Website**: www.jpccaviation.com

•**Email**: sales@jpccaviation.com



MINOR CHANGE APPROVAL

10073318

This Certificate/Approval is issued by EASA, acting in accordance with Regulation (EU) 2018/1139 on behalf of the European Union, its Member States and of the European third countries that participate in the activities of EASA under Article 129 of that Regulation and in accordance with Commission Regulation (EU) No. 748/2012 to

J.P.C. AVIATION

AERODROME DE DIJON DAROIS
21121 DAROIS
FRANCE
EASA.AP434

and certifies that the change in the type design for the product listed below with the limitations and conditions specified meets the applicable Type Certification Basis and, if applicable, environmental protection requirements when operated within the conditions and limitations specified below:

Type Certificate Number: SEE EASA APPROVED MODEL LIST
Type Certificate Holder: SEE EASA APPROVED MODEL LIST
Type: SEE EASA APPROVED MODEL LIST
Model: SEE EASA APPROVED MODEL LIST

Description of Design Change:

PAR 36 LED Landing and Taxi lights for General Aviation

EASA Certification Basis:

The Certification Basis for the original product as amended by the following additional or alternative airworthiness requirements:
the following paragraph(s) at a later amendment: CS-23 Amd 4: 23.1301, 23.1309, 23.1383, 23.1431, 23.1529

The requirements for environmental protection and the associated certified noise and/ or emissions levels of the product are unchanged and remain applicable to this certificate/approval without any impact on the noise database.

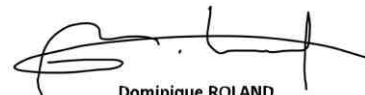
Associated Technical Documentation:

PAR36 LED Landing Light:

See Continuation Sheet(s)

For the European Union Aviation Safety Agency

Cologne, Germany, 20 May 2020



Dominique ROLAND
Head of Department
General Aviation

Installed in accordance with:
Document Interface Control Document, Document Number: 6490785 ICD 01, Issue 2, Dated 11 Feb 2019,
Maintained in accordance with: Document Abbreviated Component Maintenance Manual, Document Number: 6490785 CMM 01, Issue 2, Dated Feb 2019.

PAR36 LED Taxi Light:

Installed in accordance with:
Document Interface Control Document, Document Number: 6490786 ICD 01, Issue 2, Dated 11 Feb 2019,
Maintained in accordance with: Document Abbreviated Component Maintenance Manual, Document Number: 6490786 CMM 01, Issue 2, Dated Feb 2019.

or later revisions of the above listed document(s) approved/accepted under the EASA system.

Limitations/Conditions:

The approval holder shall fulfill the obligations of Part 21, Point 21A.109.

Prior to installation of this change/repair it must be determined that the interrelationship between this change/repair and any other previously installed change and/ or repair will introduce no adverse effect upon the airworthiness of the product.

- End -

EASA Approved Model List (AML)

Reference	Issue	Date
10073318	01	20.05.2020

TYPE CERTIFICATE HOLDER	TYPE	MODEL	EASA Type Certificate Number	JPC AVIATION Part Number	Replacement for Part Number
AEROSTAR AIRCRAFT CORPORATION	PA-60 (Aerostar)	PA-60-600, PA-60-601, PA-60-601P, PA-60-602P, PA-60-700P	US A17WE	Landing : 6490785	Landing : 4596
BEECHCRAFT CORPORATION	58	58P, 58PA, 58TC, 58TCA	US A23CE	Landing : 6490785 Taxi : 6490785 or 6490786	Landing : 4596 Taxi : 4596
	60	60, A60, B60	US A12CE	Landing : 6490785 Taxi : 6490786	Landing : 4596 Taxi : 4587
	76 (Duchess)	76	US A29CE	Landing : 6490785 Taxi : 6490785 or 6490786	Landing : 4596 Taxi : 4596
	F90 (King Air)	F90	US A31CE	Landing : 6490785	Landing : 4596
CESSNA AIRCRAFT COMPANY	Cessna F150/F152 Series	F152, FA152	FR 38	Landing : 6490785	Landing : 4591 or 4596
	Cessna F172 Series	F172N, F172P	US A4EU	Landing : 6490785	Landing : 4594 or 4596
	Cessna F182 Series	F182P, F182Q, FR182	US A42EU	Landing : 6490785 Taxi : 6490785 or 6490786	Landing : 4591 Taxi : 4591
	Cessna F337 Series	F337E, F337F, F337G, F337H, FT337E, FT337F, FT337GP, FT337HP	US A23EU	Landing : 6490785 Taxi : 6490785 or 6490786	Landing : 4591 or 4594 Taxi : 4591 or 4594
COMMANDER AIRCRAFT CORPORATION	Commander 112/114 Series	112, 112B, 112TC, 112TCA, 114, 114A, 114B, 114TC	US A12SO	Landing : 6490785 Taxi : 6490785 or 6490786	Landing : 4591 or 4596 Taxi : 4591 or 4596
DAHER AEROSPACE	TBM700	TBM700 A, TBM700 B, TBM700 C1, TBM700 C2, TBM700 N	EASA.A.010	Landing : 6490785 Taxi : 6490786	Landing : 4596 or Q5596 Taxi : 4587 or Q5587

EASA Approved Model List (AML)

Reference	Issue	Date
10073318	01	20.05.2020

TYPE CERTIFICATE HOLDER	TYPE	MODEL	EASA Type Certificate Number	JPC AVIATION Part Number	Replacement for Part Number
MOONEY AVIATION COMPANY, INC.	M20	M20J, M20K, M20L, M20M, M20R, M20S	US 2A3, EASA.IM.A.266	Landing : 6490785	Landing : 4596
PILATUS AIRCRAFT LTD.	PC-12	PC-12, PC-12/45, PC-12/47, PC-12/47E	EASA.A.089	Landing : 6490785 Taxi : 6490786	Landing : 4596 or Q5596 Taxi : 4587 or Q5587
PIPER AIRCRAFT, INC.	PA-31 (Navajo)	PA-31, PA-31-300, PA-31-325, PA-31-350 (Chieftain)	US A20SO	Landing : 6490785	Landing : 4596
	PA-31P, PA-31T	PA-31P (Pressurized Navajo), PA-31P-350 (Mojave), PA-31T (Cheyenne/Cheyenne II), PA-31T1 (Chey. I/Cheyenne IA), PA-31T2 (Cheyenne IIXL), PA-31T3	US A8EA	Landing : 6490785	Landing : 4596
	PA-42, PA-42R	PA-42 (Cheyenne III), PA-42-1000 (Cheyenne 400LS), PA-42-720 (Cheyenne IIIA), PA-42-720R	US A23SO, US A32SO	Landing : 6490785	Landing : 4596
	PA-46	PA-46-310P, PA-46-350P, PA-46-500TP, PA-46-600TP, PA-46R-350T	EASA.IM.A.077	Landing : 6490785	Landing : 4596
TEXTRON AVIATION INC.	310 Series	310B, 310C, 310D, 310F, 310G, 310H, 310I, 310J, 310J-1, 310K, 310L, 310N, 310P, 310Q, 310R, E310H, E310J, T310P, T310Q, T310R, 310	US 3A10	Taxi : 6490785 or 6490786	Taxi : 4594
	320-, 340-Series	320, 320-1, 320A, 320B, 320C, 320D, 320E, 320F, 335, 340, 340A	US 3A25	Taxi : 6490785 or 6490786	Taxi : 4594 or 4626
	336	336	US A2CE	Landing : 6490785 Taxi : 6490785 or 6490786	Landing : 4594 Taxi : 4594



EASA Approved Model List (AML)

Reference	Issue	Date
10073318	01	20.05.2020

TYPE CERTIFICATE HOLDER	TYPE	MODEL	EASA Type Certificate Number	JPC AVIATION Part Number	Replacement for Part Number
	337 Series	337, 337A, 337B, 337C, 337D, 337E, 337F, 337G, 337H, M337B, P337H, T337B, T337C, T337D, T337E, T337F, T337G, T337H, T337H-SP	US A6CE	Landing : 6490785 Taxi : 6490785 or 6490786	Landing : 4591 or 4594 Taxi : 4591 or 4594
	400 Series	414, 414A, 421, 421A, 421B, 421C, 401, 401A, 401B, 402, 402A, 402B, 402C, 411, 411A	US A7CE	Taxi : 6490785 or 6490786	Taxi : 4594 or 4626
	404/406	404	US A25CE	Taxi : 6490785 or 6490786	Taxi : 4594 or 4626
	Beechcraft 33, 35, 36 (Bonanza)	36, A36, A36TC, B36TC, G36	US 3A15, EASA.IM.A.279	Landing : 6490785 Taxi : 6490785 or 6490786	Landing : 4596 Taxi : 4596
	Beechcraft 55, 56, 58, 95	56TC, 58, 58A, 95, 95-55, 95-A55, 95-B55, 95-B55A, 95-B55B, 95-C55, 95-C55A, A56TC, B95, B95A, D55, D55A, D95A, E55, E55A, E95, G58	US 3A16, EASA.IM.A.280	Landing : 6490785 Taxi : 6490785 or 6490786	Landing : 4596 Taxi : 4596 or 4626
	Beechcraft 65, 70, 90	65, 65-80, 65-88, 65-90, 65-A80, 65-A80-8800, 65-A90, 65-A90-1, 65-A90-2, 65-A90-3, 65-A90-4, 65-B80, 70, A-65-8200, A65, B90, C90, C90A, C90GT, C90GTi, E90, H90	US 3A20, EASA.IM.A.503	Landing : 6490785 Taxi : 6490786	Landing : 4596 Taxi : 4587
	210 Series	210L, 210K, 210M, 210N, 210R, P210N, P210R, T210K, T210L, T210M, T210N, T210R	US 3A21	Landing : 6490785 Taxi : 6490785 or 6490786	Landing : 4591 Taxi : 4591
	Beechcraft A100, 200, 300, 1900	1900, 1900C, 1900D, 200, 200C, 200CT, 200T, 300, 300LW, A100-1, A200, A200C, A200CT, B200, B200C, B200CGT,	US A24CE, EASA.IM.A.277	Landing : 6490785 Taxi : 6490786	Landing : 4596 Taxi : 4587

EASA Approved Model List (AML)

Reference	Issue	Date
10073318	01	20.05.2020

TYPE CERTIFICATE HOLDER	TYPE	MODEL	EASA Type Certificate Number	JPC AVIATION Part Number	Replacement for Part Number
		B200CT, B200GT, B200T, B300, B300C			
	Cessna 172 Series (Skyhawk)	172N, 172P, 172Q, 172R, 172S	US 3A12, EASA.IM.A.051	Landing : 6490785	Landing : 4594 or 4596
	Cessna 182 Series (Skylane)	182Q, 182R, 182S, 182T, R182, T182T, TR182, T182	US 3A13, EASA.IM.A.052	Landing : 6490785 Taxi : 6490785 or 6490786	Landing : 4591 Taxi : 4591
	Cessna 208 (Caravan)	208, 208B	EASA.IM.A.226	Taxi : 6490786	Taxi : 4626
	172RG, R172 AND 175	172RG	US 3A17	Landing : 6490785 Taxi : 6490786	Landing : 4594 or 4596 Taxi : 4587
	177RG	177RG	US A20CE	Landing : 6490785 Taxi : 6490785 or 6490786	Landing : 4591 Taxi : 4591
	207 Series	207, 207A, T207, T207A	US A16CE	Landing : 6490785	Landing : 4594
VIKING AIR LIMITED	DHC-6	DHC-6 Series 1, DHC-6 Series 100, DHC-6 Series 110, DHC-6 Series 200, DHC-6 Series 210, DHC-6 Series 300, DHC-6 Series 310, DHC-6 Series 320, DHC-6 Series 400	CA A-82, EASA.IM.A.575	Taxi : 6490785 or 6490786	Taxi : 4594

Dominique ROLAND
Head of Department
General Aviation

