



AIRCRAFT LED LANDING LIGHT P/N 6490771

MAIN FEATURES - Aviation PAR 36 Landing Light Minor Change EASA Approved (EPA)

See certificate below

•High reliability

LED technology : more than 20 000 FH MTBF

•Low EMI emission

•Light weight

•Resistance to high vibrations

•Tested for extreme environment

TECHNICAL FEATURES

•Voltage : min 12 VDC / max 32 VDC

•Consumption : 18 W

•Connection : 2 Plots without polarity

•Light source: 12 power leds with collimators

•Light power: 68 000 cd

•Distribution : 8° spot

•Operating Temperature : - 45°C / +70°C

•Altitude : + 25000 ft

•Weight : 0.21 kg (0.47 pound)

Delivery with EASA Form One

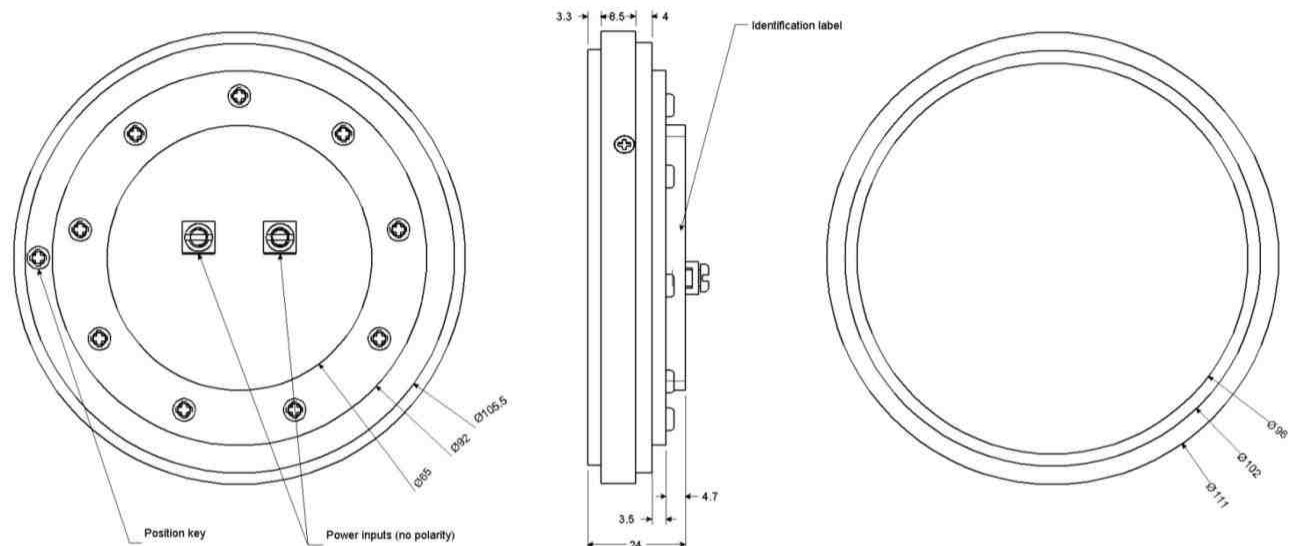
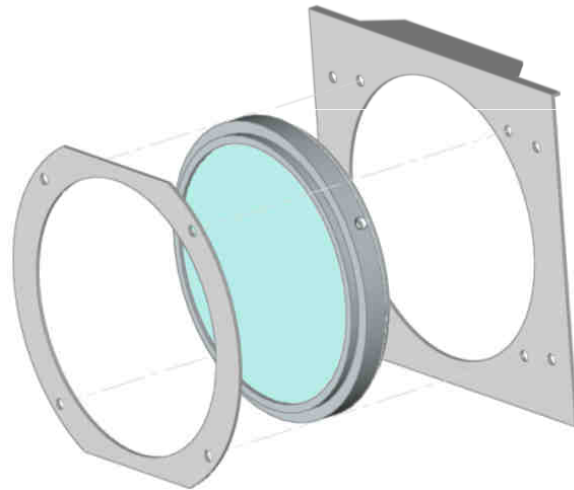
CONTACTS

•Phone: +33 (0)380 356 390,

•Fax: +33(0)380 356 100

•Website: www.jpcaaviation.com

•Email: sales@jpcaaviation.com



MINOR CHANGE APPROVAL

10061953

This Minor Change Approval is issued by EASA, acting in accordance with Regulation (EC) No. 216/2008 on behalf of the European Community, its Member States and of the European third countries that participate in the activities of EASA under Article 66 of that Regulation and in accordance with Commission Regulation (EU) No. 748/2012 to

J.P.C. AVIATION

**AERODROME DE DIJON DAROIS
21121 DAROIS
FRANCE**

and certifies that the change in the type design for the product listed below with the limitations and conditions specified meets the applicable Type Certification Basis and environmental protection requirements when operated within the conditions and limitations specified below:

Original Type Certificate Number: EASA.A.367

Type Certificate Holder: CEAPR

Type: DR300 and DR400 Series

Model: DR 300/108

DR 300/120, DR 300/125

DR 300/140, DR 300/180 R

DR 315, DR 340, DR 360, DR 380

DR 400/100, DR 400/120

DR 400/120 A, DR 400/120 D

DR 400/125, DR 400/125 i

DR 400/140, DR 400/140 B

DR 400/160, DR 400/160 D

DR 400/180 S, DR 400/200 R

See Continuation Sheet(s)

For the European Aviation Safety Agency

Date of Issue: 19 May 2017



Dominique ROLAND
Head of General Aviation and
Remotely Piloted Aircraft Systems (RPAS)

60054677

MINOR CHANGE APPROVAL - 10061953 - J.P.C. AVIATION - 302451



DR 400/180, DR 400/180 R

DR 400/2+2, DR 400/500

DR 400/NGL, DR 400/RP

Description of Design Change:

PAR36 LED LANDING & TAXI Lights.

EASA Certification Basis:

The Certification Basis for the original product as amended by the following additional or alternative airworthiness requirements:
the following paragraph(s) at a later amendment: CS-23.1301, CS-23.1309, CS-23.1383, CS-23.1431, CS-23.1529 all at Amd 4.

The requirements for environmental protection and the associated certified noise and/ or emissions levels of the original product are unchanged and remain applicable to this certificate/ approval.

Associated Technical Documentation:

Installation in accordance with documents:

. 649 07 75 ICD 01 issue 3 – Interface Control Document PAR 36 LED TAXI LIGHT, Dated 15/03/2017.

. 649 07 71 ICD 01 issue 3 – Interface Control Document PAR 36 LED LANDING LIGHT, Dated 15/03/2017.

Maintained in accordance with documents:

649 07 75 CMM 01 issue 3 - Abbreviated Component Maintenance Manual PAR 36 TAXI LIGHT,
Dated 03/2017.

. 649 07 71 CMM 01 issue 3- Abbreviated Component Maintenance Manual PAR 36 LANDING LIGHT,
Dated 03/2017.

Limitations/Conditions:

The approval holder shall fulfill the obligations of Part 21, Paragraph 21A.109 or 21.A.451(b) (as applicable).
(only applicable for minor changes and minor repairs).

Prior to installation of this design change it must be determined that the interrelationship between this design change and any other previously installed design change and/ or repair will introduce no adverse effect upon the airworthiness of the product.

- End -

60054677

MINOR CHANGE APPROVAL - 10061953 - J.P.C. AVIATION - 302451



MINOR CHANGE APPROVAL

10062598

This Minor Change Approval is issued by EASA, acting in accordance with Regulation (EC) No. 216/2008 on behalf of the European Community, its Member States and of the European third countries that participate in the activities of EASA under Article 66 of that Regulation and in accordance with Commission Regulation (EU) No. 748/2012 to

J.P.C. AVIATION

AERODROME DE DIJON DAROIS
21121 DAROIS
FRANCE

and certifies that the change in the type design for the product listed below with the limitations and conditions specified meets the applicable Type Certification Basis and environmental protection requirements when operated within the conditions and limitations specified below:

Original Type Certificate Number: See Approved Model List

Type Certificate Holder: See Approved Model List

Type: See Approved Model List

Model: See Approved Model List

Description of Design Change:

Installation of LED Landing and Taxi Light in place of existing classic halogen lamp.

EASA Certification Basis:

The Certification Basis (CB) for the original product remains applicable to this certificate/ approval. The requirements for environmental protection and the associated certified noise and/ or emissions levels of the original product are unchanged and remain applicable to this certificate/ approval.

See Continuation Sheet(s)

For the European Aviation Safety Agency

Date of Issue: 12 July 2017



Dominique ROLAND
Head of General Aviation and

Remotely Piloted Aircraft Systems (RPAS)

60057344

MINOR CHANGE APPROVAL - 10062598 - J.P.C. AVIATION - 302451

TE.CERT.00093-003 © European Aviation Safety Agency. All rights reserved. ISO9001 Certified.

Page 1 of 2

Associated Technical Documentation:

Change Dossier 6490771&75 CD 02 issue 3 dated 12/07/2017.

Limitations/Conditions:

The approval holder shall fulfill the obligations of Part 21, Paragraph 21A.109 or 21A.451(b) (as applicable).

Prior to installation of this design change it must be determined that the interrelationship between this design change and any other previously installed design change and/ or repair will introduce no adverse effect upon the airworthiness of the product.

EASA Approved Model List (AML)

10062598

J. P. C. AVIATION

Aircraft Make	Aircraft Model	TCDS
CESSNA AIRCRAFT COMPANY	F150G; F150H; F150J; F150K; F150L; F150M; F152; FA150K; FA150L; FA150M; FA152; FRA150L; FRA150M; F150F; F172D; F172E; F172F; F172G; F172H; F172K; F172L; F172M; F172N; F172P; FP172D; F177RG; F182P; F182Q; FR182; FR172F; FR172G; FR172H; FR172J; FR172K; FR172E.	FR 38 US A4EU FR 59 US A42EU FR 43
PIPER AIRCRAFT INC.	PA-28-140 (CHEROKEE CRUISER); PA-28-150; (CHEROKEE); PA-28-151 (CHEROKEE WARRIOR); PA-28-160 (CHEROKEE); PA-28-161 (WARRIOR II); PA-28-161 (WARRIOR III); PA-28-180 (ARCHER); A-28-180 (Cherokee); PA-28-181 (Archer II); PA-28-201T (Turbo Dakota); PA-28-235 (Cher. Pathfinder); PA-28-236 (Dakota); PA-28R-180 (Arrow); PA-28R-200 (Arrow II); PA-28R-200 (Arrow); PA-28R-201 (Arrow III); PA-28R-201T (Turbo Arrow III); PA-28RT-201 (Arrow IV); PA-28RT-201T (Turbo Arrow); PA-28S-160 (Cherokee); PA-28S-180 (Cherokee); PA-32-301FT (PIPER 6X); PA-32-301XTC (PIPER 6XT); PA-32R-301T (TURBO SARATOGA II HP); PA-32R-301T (TURBO SARATOGA II TC); PA-32-260 (Cherokee Six 260); PA-32-300 (Cherokee Six 300); PA-32-301 (Saratoga); PA-32-301T (Turbo Saratoga); PA-32R-300 (Lance); PA-32R-301 (Saratoga SP); PA-32R-301T (Turbo Saratoga SP); PA-32RT-300 (Lance II); PA-32RT-300T (Turbo Lance II); PA-32S-300 (Cher. Six Seaplane).	US 2A13 EASA.IM.A.234 US A3SO EASA.IM.A.239
SOCATA	TB 10; TB 20; TB 200; TB 21; TB 9.	EASA.A.378

For the European Aviation Safety Agency,

Date of Issue: 12 July 2017



Dominique ROLAND
Head of General Aviation and
Remotely Piloted Aircraft Systems (RPAS)

60057344

MINOR CHANGE APPROVAL - 10062598 - J.P.C. AVIATION - 302451

TE.CERT.00093-003 © European Aviation Safety Agency. All rights reserved. ISO9001 Certified.

1/1

MINOR CHANGE APPROVAL

10064819

This Minor Change Approval is issued by EASA, acting in accordance with Regulation (EC) No. 216/2008 on behalf of the European Community, its Member States and of the European third countries that participate in the activities of EASA under Article 66 of that Regulation and in accordance with Commission Regulation (EU) No. 748/2012 to

J.P.C. AVIATION

**AERODROME DE DIJON DAROIS
21121 DAROIS
FRANCE**

and certifies that the change in the type design for the product listed below with the limitations and conditions specified meets the applicable Type Certification Basis and environmental protection requirements when operated within the conditions and limitations specified below:

Original Type Certificate Number: SEE EASA APPROVED MODEL LIST

Type Certificate Holder: SEE EASA APPROVED MODEL LIST

Type: SEE EASA APPROVED MODEL LIST

Model: SEE EASA APPROVED MODEL LIST

Description of Design Change:

Landing and Taxi Light 2

EASA Certification Basis:

The Certification Basis (CB) for the original product remains applicable to this certificate/ approval. The requirements for environmental protection and the associated certified noise and/ or emissions levels of the original product are unchanged and remain applicable to this certificate/ approval.

Associated Technical Documentation:

-6490771&75 CD 03 dated 13/02/2018

-AML as per Task Assignment Notification No. 4500031400 dated 01.02.2018

Limitations/Conditions:

The approval holder shall fulfill the obligations of Part 21, Paragraph 21A.109 or 21.A.451(b) (as applicable).

See Continuation Sheet(s)

For the European Aviation Safety Agency

Cologne, Germany, 01 March 2018



Dominique ROLAND
Head of General Aviation and
Remotely Piloted Aircraft Systems (RPAS)

Prior to installation of this design change it must be determined that the interrelationship between this design change and any other previously installed design change and/ or repair will introduce no adverse effect upon the airworthiness of the product.

- End -

EASA Approved Model List (AML)
064819
J.P.C. AVIATION

Type Certificate holder	Type Certificate Number	Type Description - all models	TCDS
BEECHCRAFT CORPORATION	50 (Twin Bonanza)	50, B50, C50, D50, D50A, D50B, D50C, D50E, D50E-5990, E50, F50, G50, H50, J50,	US 5A4
	58	58P, 58PA, 58TC, 58TCA	US A23CE
	60	60, A60, B60	US A12CE
	76 (Duchess)	76	US A29CE
	77 (Skipper)	77	US A30CE
CEAPR	ATL	ATL, ATL "L", ATL "S"	EASA.A.374
	CAP 20 and 230 Series	CAP20, CAP20L/S200, CAP21, CAP230, CAP231, CAP231EX, CAP232	EASA.A.369
	CAP10	CAP10, CAP10B	EASA.A.370
	DR 200 Series	DR 200, DR 220, DR 220 A, DR 220 AB, DR 220 B, DR 221, DR 221 B, DR 250, DR 250 B, DR 250 B-160, DR 250-160, DR 253, DR 253 B	EASA.A.510
	HR 100 and R 1000 Series	HR 100-200, HR 100-200 B, HR 100-210, HR 100-210 D, HR 100-250 TR, HR 100-285 C, HR 100-285 TIARA, R 1180 T, R 1180 TD	EASA.A.368
	R 3000	R 3000/100, R 3000/120, R 3000/120 D, R 3000/140, R 3000/160, R 3000/160 S, R 3000/180	EASA.A.372
CESSNA AIRCRAFT COMPANY	F337 Series	F337E, F337F, F337G, F337H, FT337E, FT337F, FT337GP, FT337HP	US A23EU
CIRRUS DESIGN CORPORATION	SR-20, SR-22	SR20, SR22, SR22T	EASA.IM.A.007
DIAMOND AIRCRAFT IND. INC	DA 20	DA 20-A1, DA 20-C1	EASA.IM.A.223
	DA 40	DA 40, DA 40 D, DA 40 F, DA 40 NG	EASA.IM.A.022
DIAMOND AIRCRAFT INDUSTRIES	DV 20	DV 20, DV 20 E	EASA.A.439
	H 36	H 36 "Dimona" HK 36 "Super Dimona" HK 36 R "Super Dimona" HK 36 TC, HK 36 TS, HK 36 TTC, HK 36 TTC-ECO, HK 36-TTS	EASA.A.065

Type Certificate holder	Type Certificate Number	Type Description - all models	TCDS
DIAMOND AIRCRAFT INDUSTRIES	HK 36 TTC-ECO	HK 36 TTC-ECO	EASA.A.066
DORNIER SEAWINGS	SEASTAR	CD 2	EASA.A.640
HAWKER BEECHCRAFT	19, 23, 24	19A, 23, A23, A23-19, A23-24, A23A, A24, A24R, B19, B23, B24R, C23, C24R, M19A	US A1CE
ISSOIRE AVIATION	APM 20 and APM 30 Series	APM 20, APM 30	EASA.A.306
	APM40	APM40 "Simba"	EASA.A.567
MOONEY AVIATION COMPANY, INC.	M20	M20M, M20R	EASA.IM.A.266
	M20	M20, M20A, M20B, M20C, M20D, M20E, M20F, M20G, M20J, M20K, M20L, M20S	US 2A3
	M22	M22	US A6SW
PILATUS AIRCRAFT LTD	PC-6	PC-6, PC-6-H1, PC-6-H2, PC-6/350, PC-6/350-H1, PC-6/350-H2, PC-6/A, PC-6/A-H1, PC-6/A-H2, PC-6/A1-H2, PC-6/A2-H2, PC-6/B-H2, PC-6/B1-H2, PC-6/B2-H2, PC-6/B2-H4, PC-6/C-H2, PC-6/C1-H2	CH F 56-10
	PA-23	PA-23-235, PA-23-250, PA-E23-250	US 1A10
	PA-24 (Comanche)	PA-24, PA-24-250, PA-24-260, PA-24-400	US 1A15
	PA-30, PA-39, PA-40	PA-30, PA-39, PA-40	US A1EA
	PA-31 (Navajo)	PA-31, PA-31-300, PA-31-325, PA-31-350 (Chieftain)	US A20SO
	PA-34	PA-34-220T (Seneca V)	EASA.IM.A.090
	PA-34	PA-34-200 (Seneca) PA-34-200T (Seneca II) PA-34-220T (Seneca III) PA-34-220T (Seneca IV)	US A7SO
	PA-36 (Normal category)	PA-36-285 (Normal category) PA-36-300 (Normal category) PA-36-375 (Normal category)	US A9SO
	PA-36 (Restricted category)	PA-36-285 (Restricted) PA-36-300 (Restricted) PA-36-375 (Restricted)	US A10SO
	PA-38	PA-38-112	US A18SO
PIPER AIRCRAFT, INC.	PA-44	PA-44-180 (Seminole) PA-44-180T (Turbo Seminole)	EASA.IM.A.232

Type Certificate holder	Type Certificate Number	Type Description - all models	TCDS
SOCATA	GA7	GA7	FR TC 190
	MS 880 and Rallye 100 Series	MS 880 B, MS 880 B-D, MS 881, MS 883, MS 884, MS 885, MS 886, MS 887, Rallye 100 S, Rallye 100 S-D, Rallye 100 ST, Rallye 100 ST-D, Rallye 110 ST, Rallye 150 ST, Rallye 150 ST-D, Rallye 150 SV, Rallye 150 SVS, Rallye 150 T, Rallye 150 T-D, Rallye 180 T, Rallye 180 T-D, Rallye 180 TS	EASA.A.377
	MS 890 and Rallye 235 Series	MS 890 A, MS 890 B, MS 892 A.150, MS 892 B.150, MS 892 E-D.150, MS 892 E.150, MS 893 A, MS 893 B, MS 893 E, MS 893 E-D, MS 894 A, MS 894 C, MS 894 E, RALLYE 235 A, RALLYE 235 C, RALLYE 235 E, RALLYE 235 E-D, RALLYE 235 F	EASA.A.379
TEXTRON AVIATION INC.	180 Series	180, 180A, 180B, 180C, 180D, 180E, 180F, 180G, 180H, 180J, 180K	US 5A6
	185 Series	185, 185A, 185B, 185C, 185D, 185E, A185E, A185F	US 3A24
	188	188, 188A, 188B, A188, A188A, A188B, T188C	US A9CE
	206 Series	206H, T206H	EASA.IM.A.053
	206 Series	206, P206, P206A, P206B, P206C, P206D, P206E, TP206A, TP206B, TP206C, TP206D, TP206E, TU206A, TU206B, TU206C, TU206D, TU206E, TU206F, TU206G, U206, U206A, U206B, U206C, U206D, U206E, U206F, U206G	US A4CE
	207 Series	207, 207A, T207, T207A	US A16CE
	208	208, 208B	EASA.IM.A.226
	210 Series	210, 210-5 (205), 210-5A (205A), 210A, 210B, 210C, 210D, 210E, 210F, 210G, 210H, 210J, 210K, 210L, 210M, 210N, 210R, P210N, P210R, T210F, T210G, T210H, T210J, T210K, T210L, T210M, T210N, T210R	US 3A21
	310 Series	310, 310B, 310C, 310D, 310F, 310G, 310H, 310I, 310J, 310J-1, 310K, 310L, 310N, 310P, 310Q, 310R, E310H, E310J, T310P, T310Q, T310R	US 3A10
	320-, 340- Series	320, 320-1, 320A, 320B, 320C, 320D, 320E, 320F,	US 3A25
321	321	US 3A11	

60060757
MINOR CHANGE APPROVAL – 10064819 – J.P.C. AVIATION – 302451

Type Certificate holder	Type Certificate Number	Type Description - all models	TCDS
TEXTRON AVIATION INC.	33, 35, 36 (Bonanza)	G36	EASA.IM.A.279
	33, 35, 36 (Bonanza)	35-33, 35-A33, 35-B33, 35-C33, 35-C33A, 36, A36, A36TC, B36TC, E33, E33A, E33C, F33, F33A, F33C, G33, H35, J35, K35, M35, N35, P35, S35, V35, V35A, V35B	US 3A15
	337 Series	337, 337A, 337B, 337C, 337D, 337E, 337F, 337G, 337H, M337B, P337H, T337B, T337C, T337D, T337E, T337F, T337G, T337H, T337H-SP	US A6CE
	55, 56, 58, 95	G58	EASA.IM.A.280
	55, 56, 58, 95	56TC, 58, 58A, 95, 95-55, 95-A55, 95-B55, 95-B55A, 95-B55B, 95-C55, 95-C55A, A56TC, B95, B95A, D55, D55A, D95A, E55, E55A, E95	US 3A16
	T303	T303	US A34CE
ZENAIR LIMITED	T303	CH 2000	CA A-185

For the European Aviation Safety Agency,

Cologne, Germany, 1 March 2018



Dominique ROLAND
Head of General Aviation and
Remotely Piloted Aircraft Systems (RPAS)

60060757
MINOR CHANGE APPROVAL – 10064819 – J.P.C. AVIATION – 302451