



AIRCRAFT XENON ANTICOLLISION LIGHT SYSTEM P/N 6481101 & P/N 6481002

MAIN FEATURES - Aviation Red Anticollision Light system Certified FAR27-FAR29 (Airbus Helicopters)

•High reliability

Power supply : 5000 FH MTBF
Xenon flash tube : 3.106 F @ 100 % cd

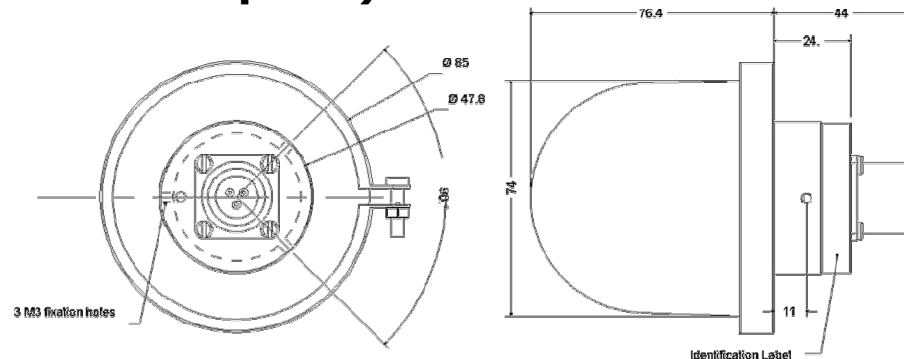
•Low EMI emission

•Light weight

•Resistance to high vibrations

Reinforced metallic clamp

•Tested for extreme environment



TECHNICAL FEATURES

•Voltage : 28 VDC- EN2282

•Power: 140W at 28V (Consumption 5A)

•Flash per minute : 42 FPM

•Color: Aviation red

•Light intensity: 150 cd according to FAR27/FAR29

•Operating Temperature : - 55°C / +85°C

•Connector : Light: MIL C 83723 K 12 03 PN Power supply: MIL C 83723 K 12 03 PN & MIL C 83723 K 12 03 P6

•Weight : Light: 0.450 kg (1 pound) Power supply: 1.950 kg (4.3 pound)

•Mechanical interface: see 2D drawing

•Mounting: On fuselage or tail fin

Delivery with EASA Form One

CONTACTS

- Phone: +33 (0)380 356 390,
- Fax: +33(0)380 356 100
- Website: www.jpcaaviation.com
- Email: sales@jpcaaviation.com

