



POWER UNIT SUPPLY FOR XENON ANTICOLLISION LIGHT P/N 6442802

Main Features :

Power Unit Supply for Xenon Anticollision Light

Certification: CS 23 (CEAPR, ROBIN AIRCRAFTS, SOCATA)

- Resistance to high vibrations
- Tested for extreme environment

Technical features:

- Input voltage: 28 VDC
- Input power: 28 W
- Rating: 0.7 Hertz
- Output voltage: 300 V
- Operating temperature : - 45°C / +70°C
- Electrical interface:

Input : 2 x free end G22 length 150 mm

Red wire : +V

Black wire : 0V

Output : 3 x G22 length 150 mm with AMP connector 1-480-700-0

Red wire : +HT

White wire : Excit

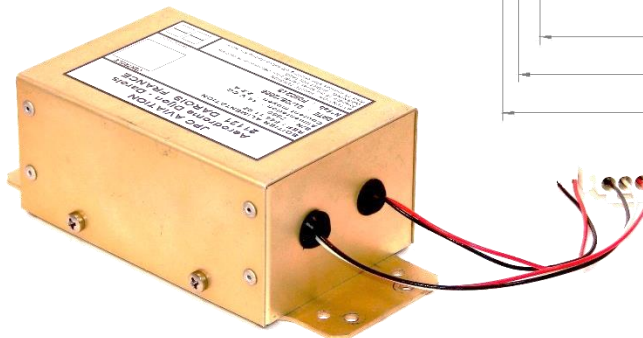
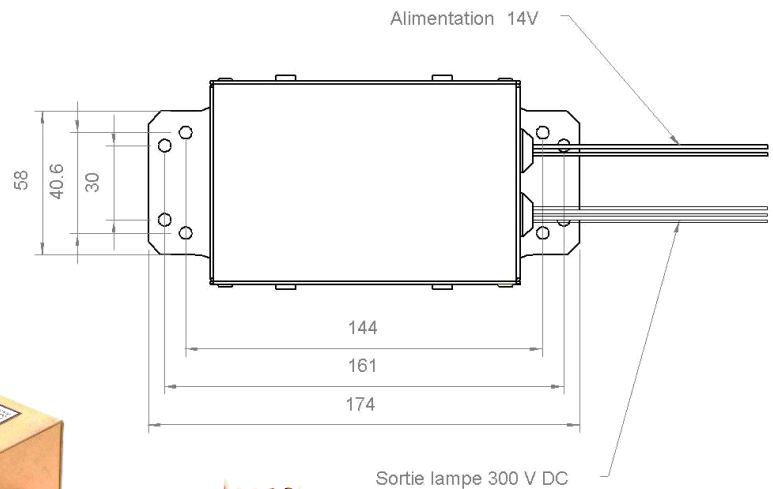
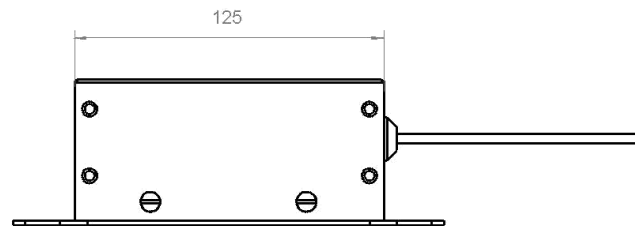
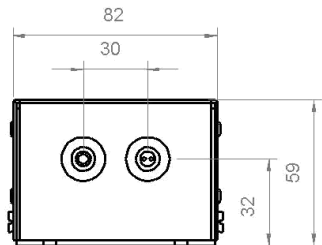
Black wire : -HT

•Weight:

Power Unit Supply: 0.4 kg (0.9 pound)

•Mechanical Interface : see 2D drawing

•Waranty: 2 years



Contacts

•Phone : 03 80 35 63 90

Fax: 03 80 35 61 00

•Web site : www.jpccaviation.com

Email: sales@jpccaviation.com