



## INTERFACE CONTROL DOCUMENT




---

# XENON ANTICOLLISION LIGHT SYSTEM

LIGHT P/N: 644 11 01

POWER UNIT SUPPLY: 644 11 02 A

---

<b>Diffusion</b>	<b>Interne à JPC</b>			<b>Externe à JPC</b>		
	1 ex →			1 ex → EASA		
<b>Version</b>	<b>Document</b>	<b>Issue.</b>	<b>Date</b>	<b>Last evolution</b>		<b>Pages changed</b>
	644 11 01 & 02A ICD 01	2	08/01/2018	See page 2		All
<b>Visas</b>	<b>Author</b> : Pierre JACQUIER		<b>Technical</b> : Julien Bonneau / Pierre Jacquier		<b>Approbation</b> : Christian Escoto	
					 <p>SAS au capital de 142800€ Aérodrome Dijon-Darois 21121 DAROIS FRANCE Siret: 531 625 738 00020 TVA: FR 73 334 625 738</p>	



**GLOSSARY**

<b>1</b>	<b>General</b>	<b>4</b>
1.1	Generalities	4
1.2	Destination	4
1.3	Description	4
<b>2</b>	<b>Physical, electrical and optical features</b>	<b>5</b>
2.1	Physical features	5
2.1.1	6441101 Light	5
2.1.2	6441102A Power Unit Supply	5
2.2	Optical features	5
2.3	Operating temperature	5
<b>3</b>	<b>Network</b>	<b>6</b>
3.1	6441101 Light	6
3.2	6441102A Power Unit Supply	6
3.3	Electrical interface	7
3.3.1	6441101 Light	7
3.3.2	6441102A Power Unit Supply	7
3.4	Electrical power supply	7
3.4.1	6441101 Light	7
3.4.2	6441102A Power Unit Supply	7
3.5	Mechanical interface	8
3.5.1	644 1101 Light:	8
3.5.2	6441102A Power Unit Supply:	8
<b>4</b>	<b>Annexes</b>	<b>9</b>
4.1	2D drawing	9
4.1.1	6441101 Light	9
4.1.2	6441102A Power Unit Supply	10

## 1 General

### 1.1 Generalities

This document defines the electrical, mechanical and thermal interfaces for “Xenon Anticollision Light System”, Light P/N 644 11 01 and Power unit supply 644 11 02 A.

### 1.2 Destination

Anti-collision light for light aircraft.

### 1.3 Description

The light P/N 644 11 01 is connected to Power unit supply P/N 644 11 02 A.

**Light:**

The light source is 20W xenon bulb.

**Power Unit Supply:**

The electronic system includes the voltage regulation, the flashing command and EMI/EMC protections.

This design offers an extremely high reliability, a high resistance to shocks and vibration.

## 2 Physical, electrical and optical features

### 2.1 Physical features

#### 2.1.1 6441101 Light

- Individual weight : 130 grs (0.29 pound)
- Dimensions : see 2D drawing in annex
- Envelope color : Aluminum with alodine A1200 protection

#### 2.1.2 6441102A Power Unit Supply

- Individual weight : 400 grs (0.9 pound)
- Dimensions : see 2D drawing in annex
- Envelope color : Aluminum with alodine A1200 protection

### 2.2 Optical features

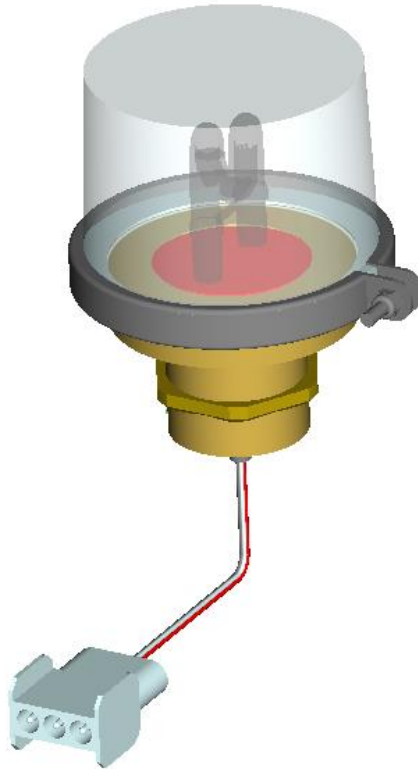
20W xenon lamp

### 2.3 Operating temperature

- Positive temperature : +70°C
- Negative temperature : - 45°C

### 3 Network

#### 3.1 6441101 Light



#### 3.2 6441102A Power Unit Supply



### 3.3 *Electrical interface*

#### 3.3.1 6441101 Light

3 X G22 + AMP connector 1-480-701-0  
RED = + HIGH VOLTAGE  
WHITE = excit  
BLACK = - HIGH VOLTAGE

#### 3.3.2 6441102A Power Unit Supply

**Input:** 2 X free end G22 wires  
RED = + V  
BLACK = GND

**Output:** Shielded 3 X G22 wires + AMP connector 1-480-700-0  
RED = + HIGH VOLTAGE  
YELLOW = excit  
BLUE = - HIGH VOLTAGE

### 3.4 *Electrical power supply*

#### 3.4.1 6441101 Light

Input Voltage : 400 V max

#### 3.4.2 6441102A Power Unit Supply

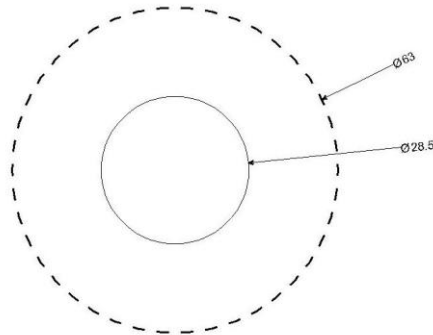
Supply Voltage : 12 to 32 VDC  
Power : 30W  
Output voltage : 300 V (+/- 5%)  
Rating : 0.7 Hz

### 3.5 Mechanical interface

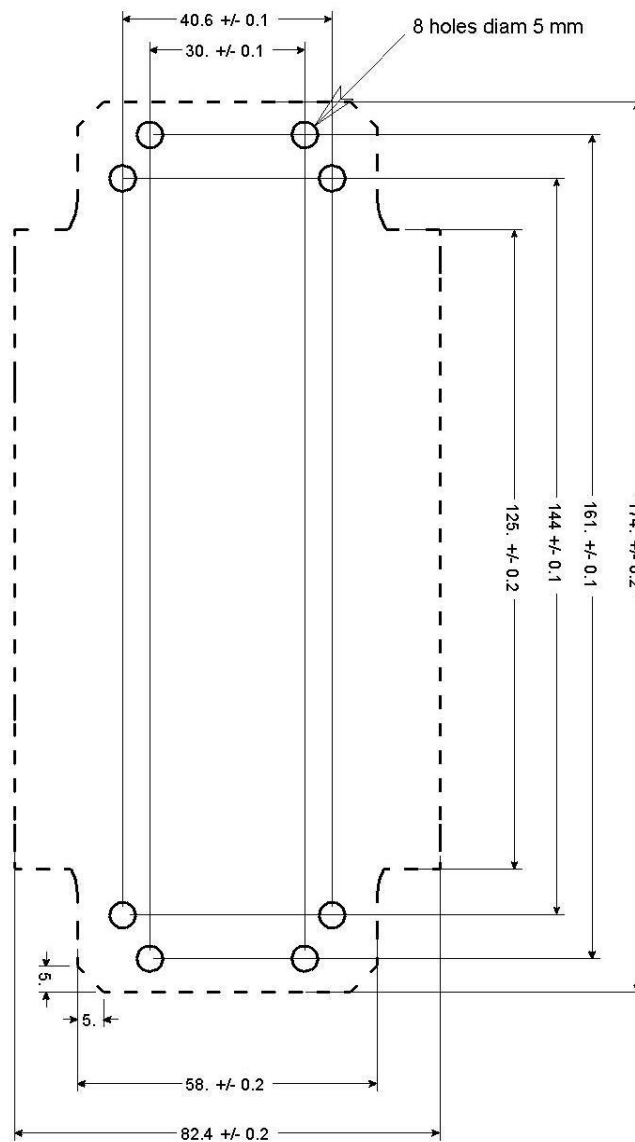
#### 3.5.1 644 1101 Light:

Fixation by N°21 Nut, provided with the anticollision light.

Max torque: 20 nm



#### 3.5.2 6441102A Power Unit Supply:

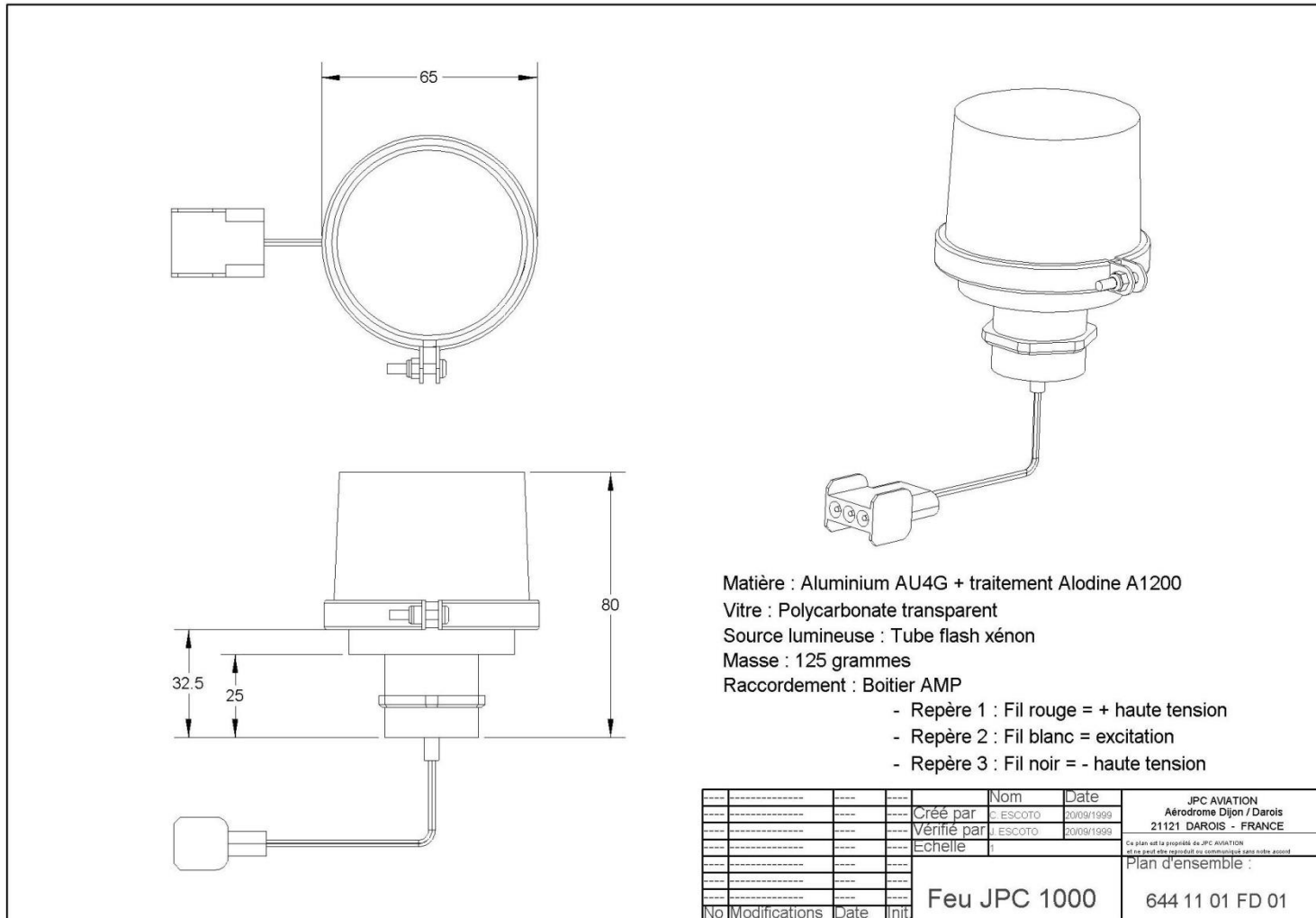




## 4 Annexes

### 4.1 2D drawing

#### 4.1.1 6441101 Light



Matière : Aluminium AU4G + traitement Alodine A1200

Vitre : Polycarbonate transparent

Source lumineuse : Tube flash xénon

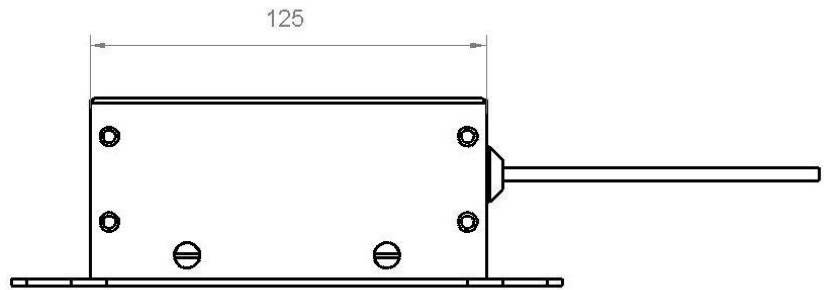
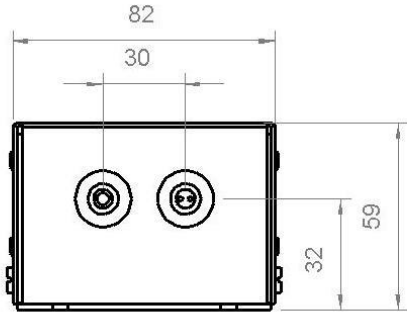
Masse : 125 grammes

Raccordement : Boitier AMP

- Repère 1 : Fil rouge = + haute tension
- Repère 2 : Fil blanc = excitation
- Repère 3 : Fil noir = - haute tension

No	Modifications	Date	Init	Nom	Date	JPC AVIATION Aérodrome Dijon / Darois 21121 DAROIS - FRANCE
-----	-----	-----	-----	Créé par	C. ESCOTO 20/09/1999	Ce plan est la propriété de JPC AVIATION toute réimpression ou communication sans notre accord
-----	-----	-----	-----	Véifié par	J. ESCOTO 20/09/1999	
-----	-----	-----	-----	Echelle	1	
-----	-----	-----	-----	Feu JPC 1000		Plan d'ensemble : 644 11 01 FD 01

4.1.2 6441102A Power Unit Supply



Electrical bonding in all surface  
(Alodine A 1200)

