



POWER UNIT SUPPLY FOR XENON ANTICOLLISION LIGHT P/N 6441102

Main Features :

Power Unit Supply for Xenon Anticollision Light

Certification: CS 23 (CEAPR, ROBIN AIRCRAFTS, SOCATA)

- Resistance to high vibrations
- Tested for extreme environment

Technical features:

- Input voltage: 14 VDC
- Input power: 28 W
- Rating: 0.7 Hertz
- Output voltage: 300 V
- Operating temperature : - 45°C / +70°C
- Electrical interface:

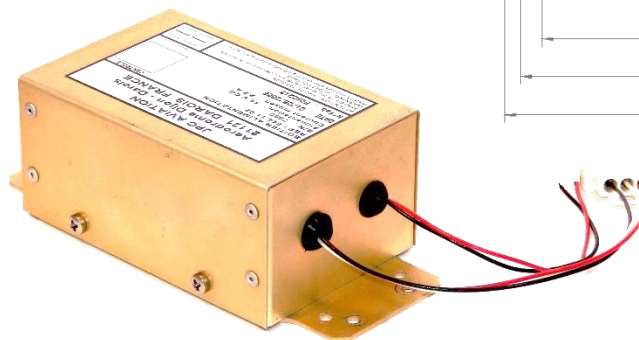
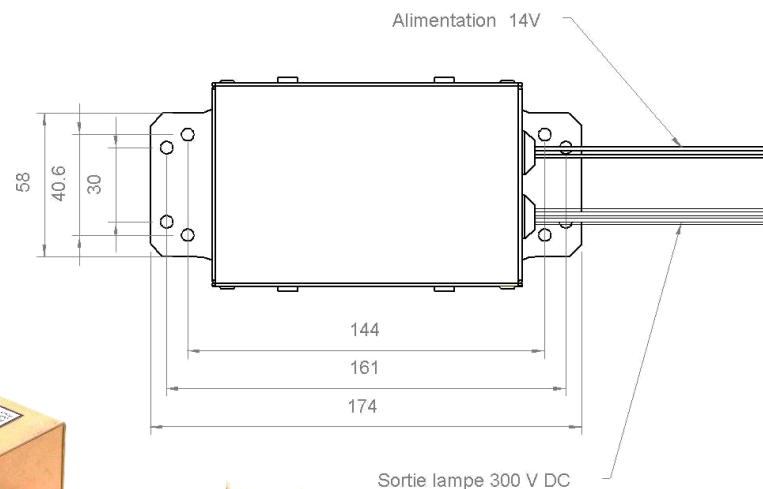
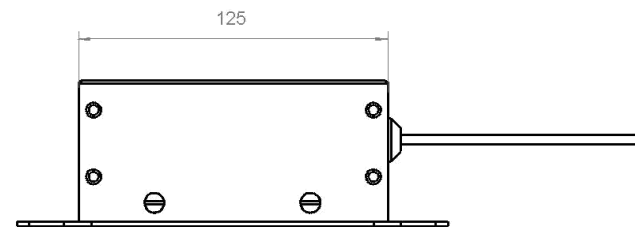
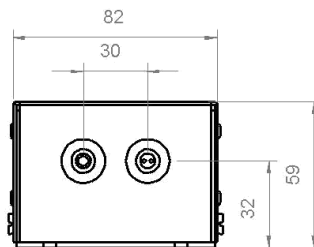
Input : 2 x free end G22 length 150 mm
Red wire : +V
Black wire : 0V

Output : 3 x G22 length 150 mm with AMP connector 1-480-700-0
Red wire : +HT
White wire : Excit
Black wire : -HT

•Weight:

Power Unit Supply: 0.4 kg (0.9 pound)

- Mechanical Interface : see 2D drawing
- Interface mécanique : See 2D drawing
- Waranty: 2 years



Contacts

•Phone : 03 80 35 63 90

Fax: 03 80 35 61 00

•Web site : www.jpccaviation.com

Email: sales@jpccaviation.com